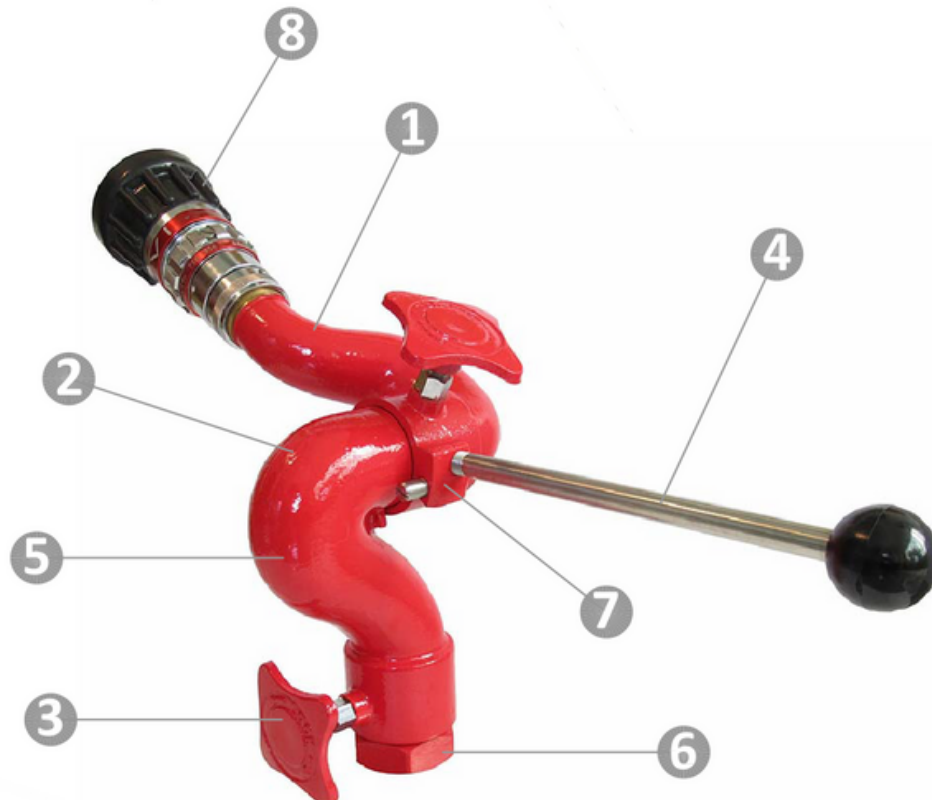


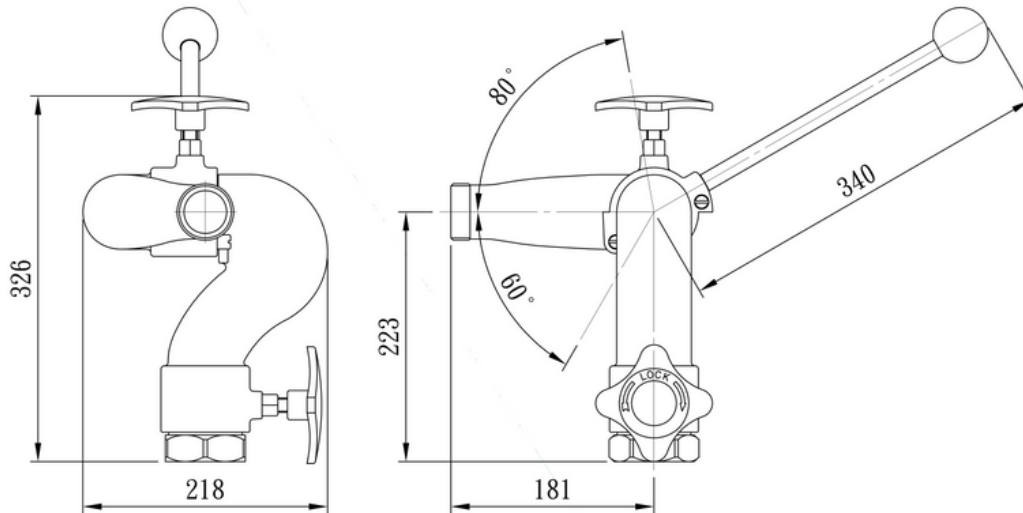
# Industrial Monitors

## Style 605

1. Flow turning vans in each elbow efficiency reduce friction.
2. Powder coating produces a tough, corrosion resistant finish.
3. Positive friction locks with brass knob for both horizontal and vertical travel to hold desired position.
4. Stainless steel lever for durability and easy control.
5. Major components made from brass alloy (UNS C83600, /ASTM B62) for a long-lasting service life.
6. Available in 2" NPT or 2" BSP threaded inlet and optional flange.
7. Double-row stainless steel ball bearings in monitor joints ensure smooth movements even when the monitor is under pressure.
8. Compatible with a diverse range of water and self-educing foam monitor nozzles for various applications.



Style 605 monitor shown  
with Style 367-BCTO nozzle



- Corrosion resistant cast brass construction ideal for marine, offshore, industrial, and other corrosive environments.
- Full 2" water way for flow rate of up to 500 GPM (1900LPG).
- Cast-in turning vans for efficient flow.
- Full 360° rotation
- Vertical travel of 140° from 80° above and 60° below horizontal.
- Positive friction locks with brass knob for both horizontal and vertical travel to hold desired position.
- Operating pressure of 200 psi (14 bar)
- Stainless steel lever for durability and easy control.
- Rugged, lightweight, and flow-efficient monitor with high reliability and minimal maintenance.
- Compatible with a diverse range of water and self-educing foam monitor nozzles for various applications.

### Specification

| Style 605      |                    |               |           |
|----------------|--------------------|---------------|-----------|
| Max. GPM (LPM) | 500 (1900)         |               |           |
| Inlet          | Size               | 2"            | 2-1/2" 3" |
|                | Type               | Female Thread | Flange    |
| Outlet         | 1-1/2"             |               |           |
| Control        | Tiller Bar         |               |           |
| Material       | Brass              |               |           |
| Finish         | Red Powder Coating |               |           |
| Friction loss  | 28 psi at 500 GPM  |               |           |
|                | 15 psi at 350 GPM  |               |           |
| Travel         | 140° vertical      |               |           |
|                | 360° Rotation      |               |           |
| Weight         | 19 Lbs. (9 kg)     |               |           |